



2313 E. Philadelphia St. Suite P
Ontario, CA 91761
www.lcpenner.com
sales@lcpenner.com



HEX HANGERS



DUST CAPS



WALL FLANGES



ADJUSTABLE FEET



AIR BLOW FILTERS



PIPELINE FILTERS



HEAVY DUTY CLAMPS



REDUCERS



Process Equipment and Supplies for the Food Industry Since 1964

About Us

Since 1964, L.C. Penner Company, Inc. has been offering outstanding customer service for every one of its customer's needs. Based in Southern California, L.C. Penner Company originally provided food-processing equipment for the dairy industry in USA, Canada, and Mexico.

Today, L.C. Penner Company has expanded its distribution worldwide by adding an improved line of products exclusively manufactured by L.C. Penner Company for a broad variety of industries including mechanical contractors, electrical contractors, semi-conductors, breweries, wineries, food, dairy, and juice processing plants.

Thank you for choosing to be an L.C. Penner Company customer. We genuinely value your loyalty and look forward to serving your future needs.

Sincerely,
The L.C. Penner Team

Table of Contents

Tube Hex Hangers.....	2
Pipe Hex Hangers.....	4
Hex Hanger Product Dimensions.....	6
Threaded Dust Caps for Bevel-Seat Fittings.....	7
Tri-Clamp Style Snap-On Dust Caps.....	8
Metal Detectable Tri-Clamp Snap-On Dust Caps.....	9
Heavy Duty Tri-Clamp Dust Caps.....	10
Dished Tube Size Wall Flange.....	11
Standard Tube Size Wall Flange.....	12
Standard Pipe Size Wall Flange.....	13
Stainless Steel Clad Adjustable Feet.....	14
Air Blow Filters.....	15
Pipeline Filters.....	16
Heavy Duty Tri-Clamp Clamps.....	17
Concentric Reducers.....	18



Process Equipment and Supplies for the Food Industry Since 1964



Tube Hex Hangers

A high quality product for installation of stainless steel tubing hangers, manufactured exclusively by L.C. Penner Company. The hex hanger brackets consist of 3/16" x 1" polished T-304 stainless steel and are accompanied with stainless steel nuts & bolts all made in the U.S.A.

Tube Hex Hangers with Polypropylene Inserts and Nuts & Bolts

Size (In Inches)	Part # (w Inserts)
1/2"	.50THI
3/4"	.75THI
1"	1THI
1 1/2"	1.5THI
2"	2THI
2 1/2"	2.5THI
3"	3THI
4"	4THI
6"	6THI



*Polypropylene inserts can withstand temperatures up to 250 degrees Fahrenheit

*Single-Sealed unit packaging available for \$0.12 additional per unit

*Prices effective January 16th, 2023

Tube Hex Hangers with Buna Rubber Grommets and Nuts & Bolts

Size (In Inches)	Part #
1"	1THG5
1 1/2"	1.5THG5
2"	2THG5
2 1/2"	2.5THG5
3"	3THG5
4"	4THG5



*Buna rubber grommets can withstand temperatures up to 200 degrees Fahrenheit

*Viton and EPDM grommets are available upon request. Please contact us for a quote

*Viton rubber grommets can withstand temperatures up to 392 degrees Fahrenheit

*EPDM rubber grommets can withstand temperatures up to 275 degrees Fahrenheit

*Single-Sealed unit packaging available for \$0.12 additional per unit

*Prices effective January 16th, 2023



Process Equipment and Supplies for the Food Industry Since 1964

Tube Hex Hangers

A high quality product for installation of stainless steel tubing hangers, manufactured exclusively by L.C. Penner Company. The hex hanger brackets consist of 3/16" x 1" polished T-304 stainless steel and are accompanied with stainless steel nuts & bolts all made in the U.S.A.

Tube Hex Hangers without Polypropylene Inserts, with Nuts & Bolts

Size (In Inches)	Part # (w Inserts)
1/2"	.50TH
3/4"	.75TH
1"	1TH
1 1/2"	1.5TH
2"	2TH
2 1/2"	2.5TH
3"	3TH
4"	4TH
6"	6TH



*Single-Sealed unit packaging available for \$0.12 additional per unit

*Prices effective January 16th, 2023

Polypropylene Tube Inserts Only

Size (In Inches)	Part # (w Inserts)
1/2"	.50TPEN
3/4"	.75TPEN
1"	1TPEN
1 1/2"	1.5TPEN
2"	2TPEN
2 1/2"	2.5TPEN
3"	3TPEN
4"	4TPEN
6"	6TPEN



*Polypropylene inserts can withstand temperatures up to 250 degrees Fahrenheit

*Single-Sealed unit packaging available for \$0.12 additional per unit

*Prices effective January 16th, 2023



Process Equipment and Supplies for the Food Industry Since 1964



Pipe Hex Hangers

A high quality product for installation of stainless steel piping hangers, manufactured exclusively by L.C. Penner Company. The hex hanger brackets consist of 3/16" x 1" polished T-304 stainless steel and are accompanied with stainless steel nuts & bolts all made in the U.S.A.

Pipe Hex Hangers with Polypropylene Inserts and Nuts & Bolts

Size (In Inches)	Part #
1/2"	.50PHI
3/4"	.75PHI
1"	1PHI
1 1/4"	1.25PHI
1 1/2"	1.5PHI
2"	2PHI
2 1/2"	2.5PHI
3"	3PHI
4"	4PHI
6"	6PHI



*Polypropylene inserts can withstand temperatures up to 250 degrees Fahrenheit

*Single-Sealed unit packaging available for \$0.12 additional per unit

*Prices effective January 16th, 2023

Pipe Hex Hangers with Buna Rubber Grommets and Nuts & Bolts

Size (In Inches)	Part #
3/4"	.75PHG5
1"	1PHG5
1 1/4"	1.25PHG5
1 1/2"	1.5PHG5
2"	2PHG5
2 1/2"	2.5PHG5
3"	3PHG5
3 1/2"	3.5PHG5
4"	4PHG5



*Buna rubber grommets can withstand temperatures up to 200 degrees Fahrenheit

*Viton and EPDM grommets are available upon request. Please contact us for a quote

*Viton rubber grommets can withstand temperatures up to 392 degrees Fahrenheit

*EPDM rubber grommets can withstand temperatures up to 275 degrees Fahrenheit

*Single-Sealed unit packaging available for \$0.12 additional per unit

*Prices effective January 16th, 2023



Process Equipment and Supplies for the Food Industry Since 1964

Pipe Hex Hangers

A high quality product for installation of stainless steel piping hangers, manufactured exclusively by L.C. Penner Company. The hex hanger brackets consist of 3/16" x 1" polished T-304 stainless steel and are accompanied with stainless steel nuts & bolts all made in the U.S.A.

Pipe Hex Hangers without Polypropylene Inserts, with Nuts & Bolts

Size (In Inches)	Part # (w Inserts)
1"	1PH
1 ¼"	1.25PH
1 ½"	1.5PH
2"	2PH
2 ½"	2.5PH
3"	3PH
4"	4PH
6"	6PH



*Single-Sealed unit packaging available for \$0.12 additional per unit

*Prices effective January 16th, 2023

Polypropylene Pipe Inserts Only

Size (In Inches)	Part # (w Inserts)
½"	.50PPEN
¾"	.75PPEN
1"	1PPEN
1 ¼"	1.5TPEN
1 ½"	1.5PPEN
2"	2PPEN
2 ½"	2.5PPEN
3"	3PPEN
4"	4PPEN
6"	6PPEN



*Polypropylene inserts can withstand temperatures up to 250 degrees Fahrenheit

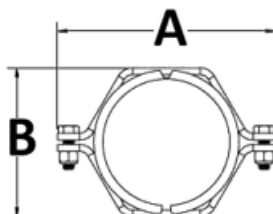
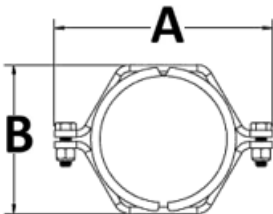
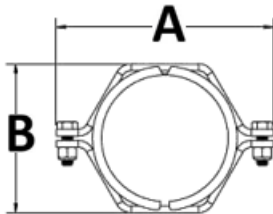
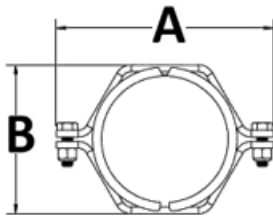
*Single-Sealed unit packaging available for \$0.12 additional per unit

*Prices effective January 16th, 2023



Process Equipment and Supplies for the Food Industry Since 1964

Hex Hanger Product Dimensions



Tube Hanger W/ Inserts

Size	A	B	Part Number
1/2"	3 1/4"	1 1/2"	.5THI
3/4"	3 1/4"	1 1/2"	.75THI
1"	3 1/4"	1 1/2"	1THI
1 1/2"	4"	2"	1.5THI
2"	4 3/8"	2 1/2"	2THI
2 1/2"	5 1/2"	3 1/4"	2.5THI
3"	5 5/8"	3 5/8"	3THI
4"	7"	4 3/4"	4THI
6"	9 1/2"	6 3/4"	6THI

Tube Hanger W/ Grommets

Size	A	B	Part Number
1"	3 1/4"	1 5/8"	1THG
1 1/2"	4"	2 1/2"	1.5THG5
2"	4 3/8"	2 5/8"	2THG5
2 1/2"	5 1/2"	3 3/8"	2.5THG5
3"	5 5/8"	3 3/4"	3THG5
4"	7"	5 1/8"	4THG5

Pipe Hanger W/ Inserts

Size	A	B	Part Number
1/2"	3 1/4"	1 1/2"	.5OPHI
3/4"	3 1/4"	2"	.75PHI
1"	4"	2"	1PHI
1 1/4"	4"	2 1/4"	1.25PHI
1 1/2"	4 3/8"	2 3/4"	1.5PHI
2"	5 1/2"	3 3/8"	2PHI
2 1/2"	5 5/8"	3 3/4"	2.5PHI
3"	7"	4 3/4"	3PHI
4"	7"	4 3/4"	4PHI
6"	9 1/2"	6 3/4"	6PHI

Pipe Hanger W/ Grommets

Size	A	B	Part Number
3/4"	4"	2 1/4"	.75PHGI
1"	4"	2 5/8"	1PHGI
1 1/4"	4"	2 1/2"	1.25PHG5
1 1/2"	4"	3 3/4"	1.5PHG5
2"	4 3/8"	3 1/4"	2PHG5
2 1/2"	5 1/2"	3 3/4"	2.5PHG5
3"	5 5/8"	4 3/8"	3PHG5
3 1/2"	7"	5 1/8"	3.5PHG5
4"	7"	5 3/4"	4PHG5



Process Equipment and Supplies for the Food Industry Since 1964



Threaded Dust Caps for Bevel-Seat Fittings

Standard dairy-threaded/bevel seat closures for sanitary pipelines, tankers and flowline equipment. These tough ABS plastic closures help seal open ends and keep out dust, insects, mold, odors and contamination. The female closure also fits John Perry fittings. Available in **red**, **white** & **black** with an option to have a heavy duty stainless steel chain attached.



Female (29) & Male (28), White & Black
Without Stainless Steel Chain

Size (In Inches)	Part #
1 1/2"	1500-29R
	1500-29W
	1500-29B
	1500-28R
	1500-28W
	1500-28B
2"	2000-29R
	2000-29W
	2000-29B
	2000-28R
	2000-28W
	2000-28B
2 1/2"	2500-29R
	2500-29W
	2500-29B
	2500-28R
	2500-28W
	2500-28B
3"	3000-29R
	3000-29W
	3000-29B
	3000-28R
	3000-28W
	3000-28B
4"	4000-29R
	4000-29W
	4000-29B
	4000-28R
	4000-28W
	4000-28B

Female (29) & Male (28), White & Black
With Stainless Steel Chain

Size (In Inches)	Part #
1 1/2"	1500-29RC
	1500-29WC
	1500-29BC
	1500-28RC
	1500-28WC
	1500-28BC
2"	2000-29RC
	2000-29WC
	2000-29BC
	2000-28RC
	2000-28WC
	2000-28BC
2 1/2"	2500-29RC
	2500-29WC
	2500-29BC
	2500-28RC
	2500-28WC
	2500-28BC
3"	3000-29RC
	3000-29WC
	3000-29BC
	3000-28RC
	3000-28WC
	3000-28BC
4"	4000-29RC
	4000-29WC
	4000-29BC
	4000-28RC
	4000-28WC
	4000-28BC

*Custom colors available per request. Custom color requests must be a minimum order of 200 caps.

*Prices effective January 16th, 2023

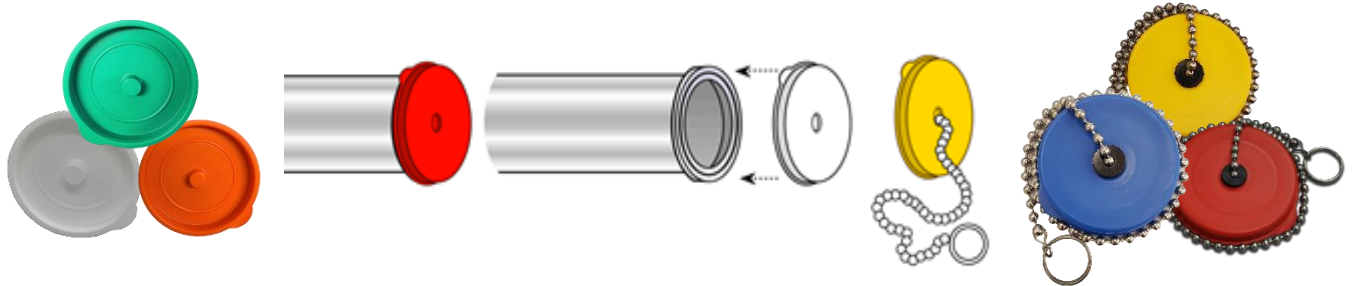


Process Equipment and Supplies for the Food Industry Since 1964



Tri-Clamp Style Snap-On Dust Caps

Polypropylene plastic closures for clamp type fittings and pipe ends. These inexpensive caps protect sanitized pipelines and flowline equipment from dust, insects, mold, and contamination. Available in **red**, **white**, **yellow**, **tangerine**, **blue** and **green** with an option to have a heavy duty stainless steel chain attached.



Red, White, Yellow Tangerine, Blue & Green
Without Stainless Steel Chain

Red, White, Yellow Tangerine, Blue & Green
With Stainless Steel Chain

Size (In Inches)	Part #	Unit
1 ½"	Clamp-15R Clamp-15W Clamp-15Y Clamp-15T Clamp-15B Clamp-15G	10/Pack
2"	Clamp-20R Clamp-20W Clamp-20Y Clamp-20T Clamp-20B Clamp-20G	10/Pack
2 ½"	Clamp-25R Clamp-25W Clamp-25Y Clamp-25T Clamp-25B Clamp-25G	10/Pack
3"	Clamp-30R Clamp-30W Clamp-30Y Clamp-30T Clamp-30B Clamp-30G	10/Pack
4"	Clamp-40R Clamp-40W Clamp-40Y Clamp-40T Clamp-40B Clamp-40G	5/Pack

Size (In Inches)	Part #	Unit
1 ½"	Clamp-15RC Clamp-15WC Clamp-15YC Clamp-15TC Clamp-15BC Clamp-15GC	1/Each
2"	Clamp-20RC Clamp-20WC Clamp-20YC Clamp-20TC Clamp-20BC Clamp-20GC	1/Each
2 ½"	Clamp-25RC Clamp-25WC Clamp-25YC Clamp-25TC Clamp-25BC Clamp-25GC	1/Each
3"	Clamp-30RC Clamp-30WC Clamp-30YC Clamp-30TC Clamp-30BC Clamp-30GC	1/Each
4"	Clamp-40RC Clamp-40WC Clamp-40YC Clamp-40TC Clamp-40BC Clamp-40GC	1/Each

*Custom colors available per request. Custom color requests must be a minimum order of 200 caps.

*Prices effective January 16th, 2023

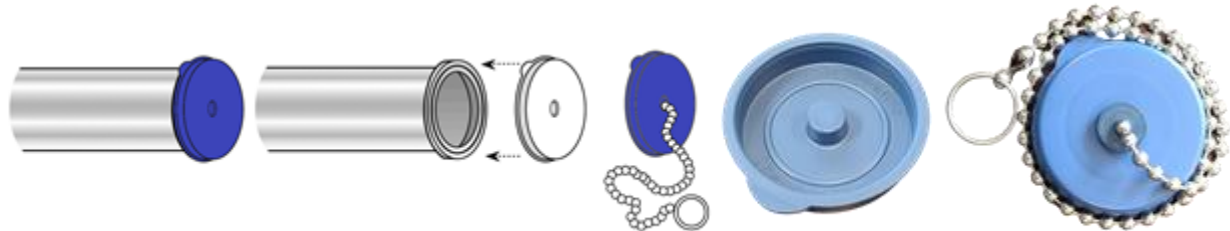


Process Equipment and Supplies for the Food Industry Since 1964



Metal Detectable Tri-Clamp Snap-On Dust Caps

Polypropylene plastic closures for clamp type fittings and pipe ends. These inexpensive metal detectable caps protect sanitized pipelines and flowline equipment from dust, insects, mold, and contamination. Our MD series caps are made with an FDA-compliant polymag additive which imparts Metal Detectability, X-Ray Contrast and Magnetic Separation into a range of polymers in order avoid the presence of potential choking hazards in finished product. With a heavy-duty stainless-steel chain, and a highly detectable chain adapter thread made with acetal UD plastic, our MD series caps with attached chain can also be safely utilized in production requiring metal detectable plastics.



Size (In Inches)	Part #	Unit
1 ½"	Clamp-15MD	5/Pack
	Clamp-15MDC (With Stainless Steel Chain)	1/Each
2"	Clamp-20MD	5/Pack
	Clamp-20MDC (With Stainless Steel Chain)	1/Each
2 ½"	Clamp-25MD	5/Pack
	Clamp-25MDC (With Stainless Steel Chain)	1/Each
3"	Clamp-30MD	5/Pack
	Clamp-30MDC (With Stainless Steel Chain)	1/Each
4"	Clamp-40MD	5/Pack
	Clamp-40MDC (With Stainless Steel Chain)	1/Each

*Custom colors available per request. Custom color requests must be a minimum order of 200 caps.

*Metal detectability lab report available upon request

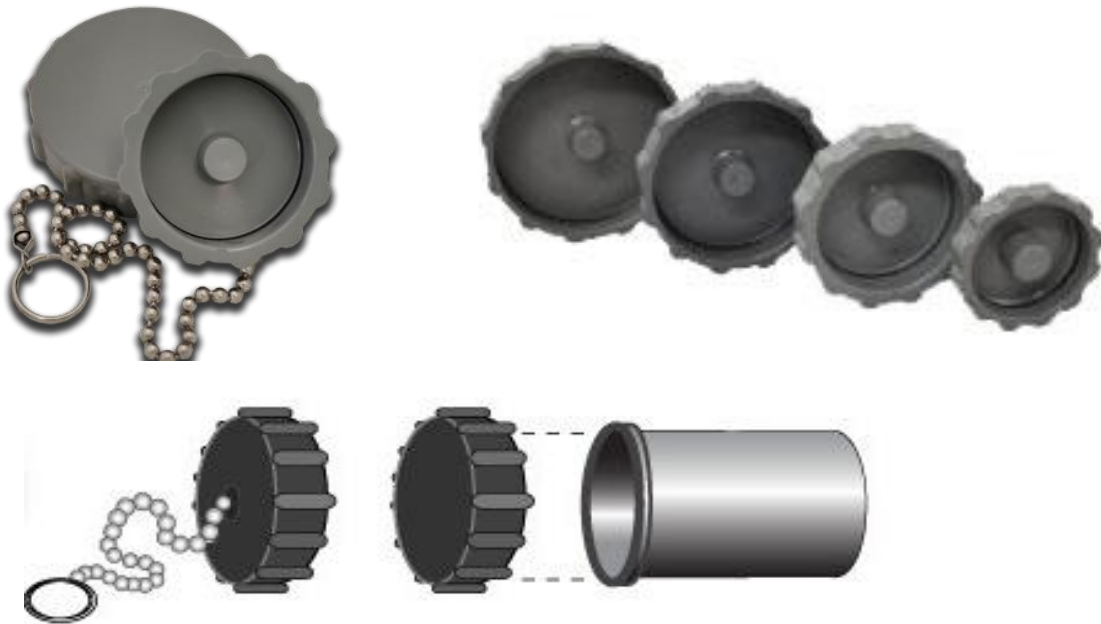


Process Equipment and Supplies for the Food Industry Since 1964



Heavy Duty Tri-Clamp Dust Caps

The original LC Penner Tri-Clamp hard ABS plastic closures for clamp type fittings. These caps protect from dust, insects, mold and contamination; are gray in color and easy to grip. Also available with a heavy-duty stainless-steel chain attached.



Size (In Inches)	Part #
1 ½"	CL-1500
	CL-1500C (With Stainless Steel Chain)
2"	CL-2000
	CL-2000C (With Stainless Steel Chain)
2 ½"	CL-2500
	CL-2500C (With Stainless Steel Chain)
3"	CL-3000
	CL-3000C (With Stainless Steel Chain)

*Custom colors available per request. Custom color requests must be a minimum order of 200 caps.



Process Equipment and Supplies for the Food Industry Since 1964



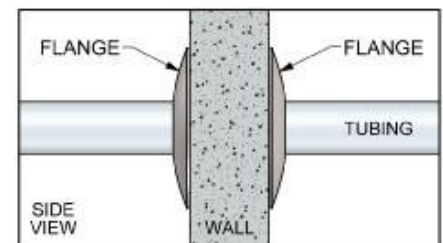
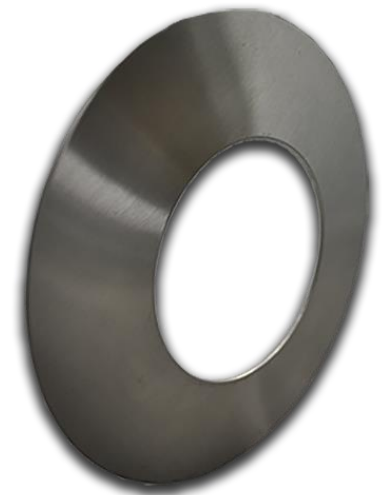
Dished Tube Size Wall Flange (Escutcheon)

Our Dished Wall Flanges (for tubing only) are made of T-304 polished stainless steel. They are also known as escutcheons or wall flashings.

- 16 gauge
- T-304 Stainless Steel
- #4 Polished
- Inside Diameters from 1/2" to 4"
- Outside Diameters from 3" to 7"



Size (In Inches)	Part #
1/2" x 3"	.5X3DWF
3/4" x 3"	.75X3DWF
1" x 3"	1X3DWF
1/2" x 5"	.5X5DWF
3/4" x 5"	.75X5DWF
1" x 5"	1X5DWF
1 1/2" x 5"	1.5X5DWF
2" x 5"	2X5DWF
2 1/2" x 5"	2.5X5DWF
3" x 6"	3X6DWF
4" x 7"	4X7DWF



*Prices effective January 16th, 2023



Process Equipment and Supplies for the Food Industry Since 1964



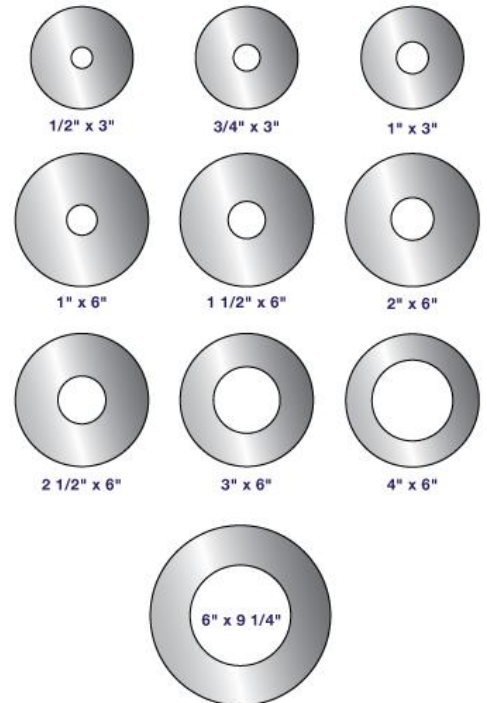
Standard Tube Size Wall Flange (Escutcheon)

Our Standard Wall Flanges for tubing are made of T-304 polished stainless-steel. They are also known as escutcheons or wall flashings.

- 18 gauge
- T-304 Stainless Steel
- #4 Polished
- Inside Diameters from 1/2" to 6"
- Outside Diameters from 3" to 9.25"



Size (In Inches)	Part #
1/2" x 3"	.5WF
3/4" x 3"	.75WF
1" x 3"	1X3WF
1" x 6"	1WF
1 1/2" x 6"	1.5WF
2" x 6"	2WF
2 1/2" x 6"	2.5WF
3" x 6"	3WF
4" x 6"	4WF
6" x 9.25"	6WF



*Prices effective January 16th, 2023



Process Equipment and Supplies for the Food Industry Since 1964

Standard Pipe Size Wall Flange (Escutcheon)



Our stainless-steel wall flanges for IPS pipe are made of T-304 polished stainless steel. They are also known as escutcheons or wall flashings.

- 18 gauge
- T-304 Stainless Steel
- #4 Polished
- Inside Diameters from 1/2" (or .84") to 4" (or 4.5")
- Outside Diameters from 3" to 7"



Standard Size (In Inches)	Actual Size (In Inches)	Part #
1/2" x 3"	.84" x 3"	.5WFP
3/4" x 3"	1.05" x 3"	.75WFP
1" x 3"	1.315" x 3"	1WFP
3/4" x 6"	1.05" x 6"	.75X6WFP
1" x 6"	1.315" x 6"	1X6WFP
1 1/4" x 6"	1.66" x 6"	1.25WFP
1 1/2" x 6"	1.90" x 6"	1.5WFP
2" x 6"	2.375" x 6"	2WFP
2 1/2" x 6"	2.875" x 6"	2.5WFP
3" x 6"	3.5" x 6"	3WFP
4" x 7"	4.5" x 7"	4WFP

*Prices effective January 16th, 2023



Process Equipment and Supplies for the Food Industry Since 1964

Stainless Steel Clad Adjustable Feet

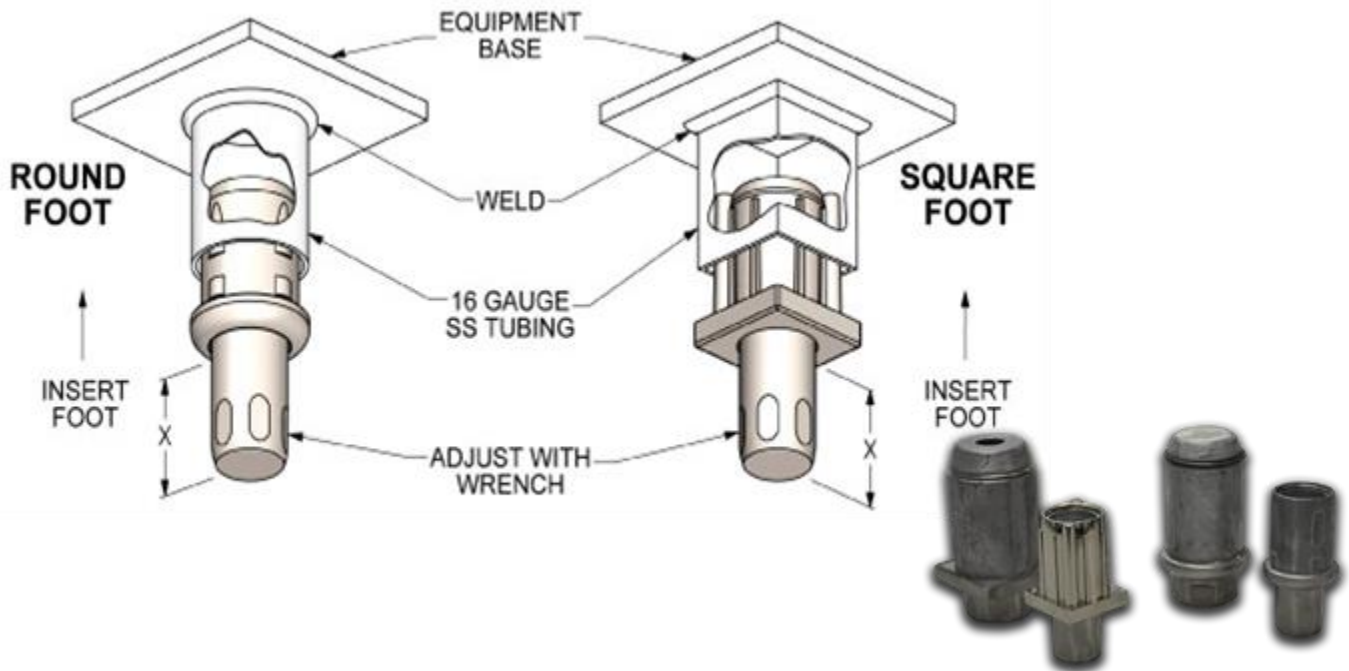
Square and round stainless-steel leveling feet are easy to install and fit into squared and round tubing. Our 1 1/2" + 2" adjustable feet are able to level equipment up to 1600 or 2300 lbs. (respectively) of weight using expansion rings and spring-loaded lugs.

CHARACTERISTICS:

- Adjust 2 5/8 inches
- Fits into 16-gauge SS tubing
- Secured by expansion rings at top and four spring-loaded lugs

EASY INSTALLATION:

- Cut tubing for four legs to desired length
- Weld tubing to base
- Insert feet into tubing or equipment
- Adjust to level



16 Gauge Tubing Size (In Inches)		Part #
○	1 1/2" 2"	1.5SSBF 2SSBF
□	1 1/2" 2"	1.5BFSQ 2BFSQ

*Prices effective December 1st, 2022

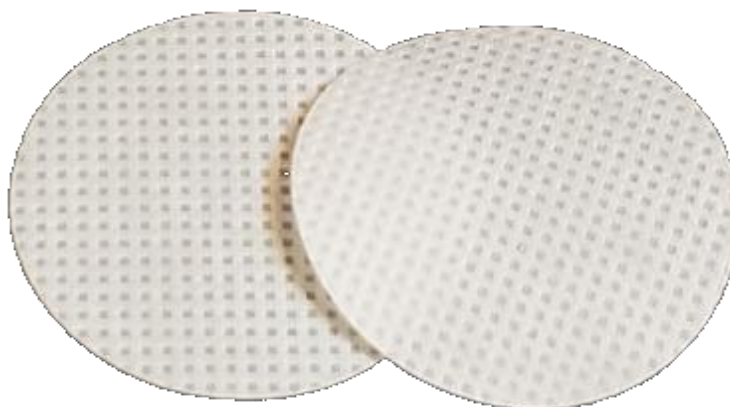


Process Equipment and Supplies for the Food Industry Since 1964



Air Blow Filters (Filter Discs For Air Blow Check Valves)

The Filter Discs For Air Blow Check Valves are 1.0 micron and constructed for compressed air systems used in food and dairy processing plants to trap unwanted particles. These filters are made for air flow check valves. The disposable filters are intended for single use, come 200 pieces per bag and are available for purchase in two different diameters: 1 1/2", and 2".



Size (In Inches)	Part #
1 1/2"	AB FILTER-1.5
2"	AB FILTER-2

*Prices effective January 1st, 2022



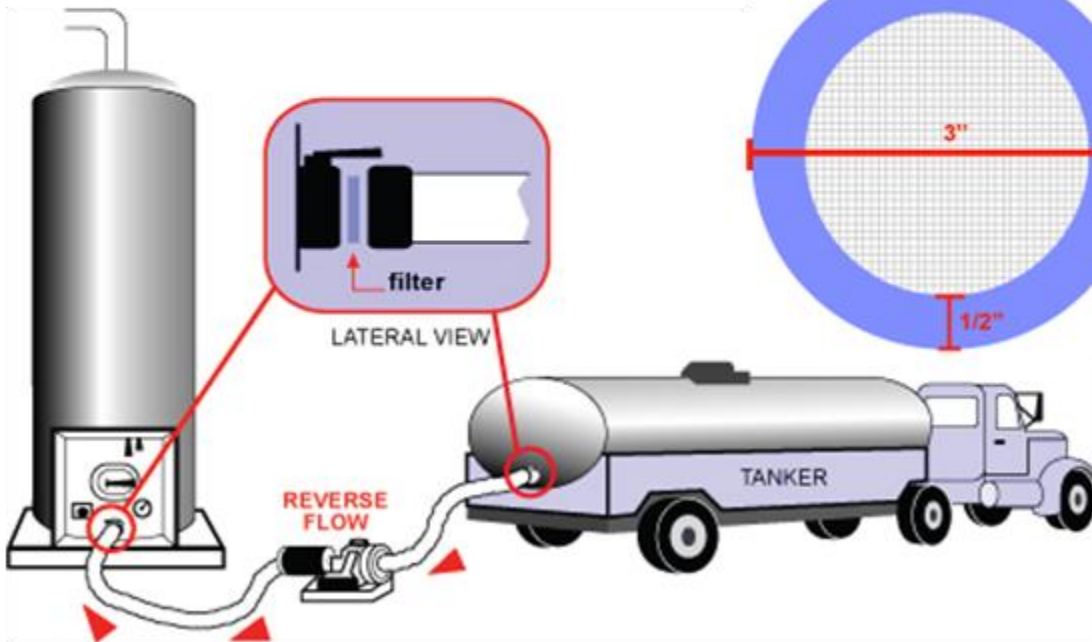
Process Equipment and Supplies for the Food Industry Since 1964





Pipeline Filters (Pipeline Filter Disc Inserts for Tankers)

Easily inserted at the end of the hose before transferring milk from the tanker (reverse flow), our 3" Pipeline Filter Screens are made with a resistant polyester mesh (blue) or nylon mesh (red) surrounded by a 1/2" polypropylene plastic disk, and 800-micron rating. The red heavy duty filter is preferred when filtering larger more forceful pumps. Our disposable one-size filters are intended for single use and are sold in bags of 100.

**Keep Milk Free
of Sediment**



Type	Part #	Photo
Original Blue	D773-3P	
Heavy Duty Red	D773-3HDR	

*Prices effective December 1st, 2022



Process Equipment and Supplies for the Food Industry Since 1964

Heavy Duty Tri-Clamp Clamps

Heavy-Duty Stainless-Steel Clamps with single pin. These heavy-duty fittings are made with T-304 Stainless Steel.

CHARACTERISTICS:

- Heavy duty stainless steel
- Single pin screw like mechanism
- Cross Hole Wing Nut

USED BY:

- Food Industry
- Brewery
- Winery
- Dairy industry
- Mechanical contractors
- Electrical contractors



Size (In Inches)	Part #
1/2" or 3/4"	P13HDC.75
1 1/2"	P13HDC1.5
2"	P13HDC2
2 1/2"	P13HDC2.5
3"	P13HDC3
4"	P13HDC4

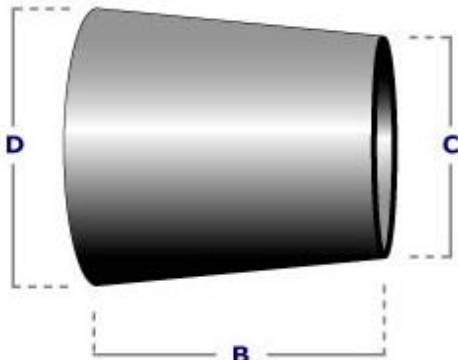
*Prices effective December 15th, 2022



Process Equipment and Supplies for the Food Industry Since 1964

Concentric Reducers

Polished concentric reducers for sanitary use, butt welded T-304 stainless steel.

	Nom. size	D	B	C
	1" x 3/4"	1"	2"	3/4"
	1 1/2" x 1"	1 1/2"	2"	1"
	2" x 1"	2"	3 1/2"	1"
	2" x 1 1/2"	2"	2"	1 1/2"
	2 1/2" x 2"	2 1/2"	2"	2"
	3" x 2"	3"	4"	2"
	3" x 2 1/2"	3"	2"	2 1/2"

Size (In Inches)	Part #
1" x 3/4"	P317-1X.75
1 1/2" x 1"	P317-1.5X1
2" x 1"	P317-2X1
2" x 1 1/2"	P317-2X1.5
2 1/2" x 2"	P317-2.5X2
3" x 2"	P317-3X2
3" x 2 1/2"	P317-3X2.5



*Prices effective December 15th, 2022



L.C. Penner Company
2313 E. Philadelphia St. Suite P
Ontario, CA 91761

www.lcpenner.com
sales@lcpenner.com

Office: (800) 553-0164
Monday - Friday
8:00am - 4:30pm

